

GREAT
WATER
JUST GOT
EASIER!

EA EVOLUTION
aqua™
POND solutions

nexus Eazy™

200/300 RANGE
www.evolutionaqua.com



CRYSTAL
IT'S AS CLEAR AS IT GETS!

nexus eazy™

The Nexus Eazy™ is Evolution Aqua's exciting new filter system. It incorporates the industry proven Kaldnes Moving Bed™ coupled with the innovative Eazy mechanical filter.

Combined, they provide outstanding water clarity and quality, pump or gravity fed. It is extremely 'eazy' and pleasurable to clean and maintain, with minimal running costs. It is designed and built to last for life. The Nexus Eazy is a cleverly combined mechanical and biological filter creating an effective, high performance filtration system for all sizes of ponds. It revolutionises the way ponds are filtered. Nexus is the first filtration system that can be tailored to provide all fish keepers and pond enthusiasts with unbeatable performance at affordable prices. Nexus combined with the Eazy, means there really is no competition regarding price and what it will achieve!

HOW IT WORKS

The Eazy is a stainless steel vessel containing a volume of static KI media which is located within the centre chamber of the Nexus. Water enters the centre chamber and



then enters the Eazy via slots in the lower half of the unit. This results in a downward flow causing many of the larger solids to settle out prior to entering the Eazy. The size of the slots will not allow large mechanical waste to enter the cylinder thus acting as a first stage mechanical filtration. The water then passes through the static KI media utilising up and side flow and this process causes the fine solids to become entrapped. After the water has been cleaned in the central stage, it enters the biological stage, which consists of the Kaldnes Moving Bed™ Process. Kaldnes has been proven to be many times more efficient than static media. Incorporating the KI media and the Kaldnes moving bed process into the product range was a major breakthrough in the industry due to its massive performance in such a small volume.

It is by using this process that we have been able to achieve a smaller footprint. An air ring at the base of the outer bio chamber releases air, constantly

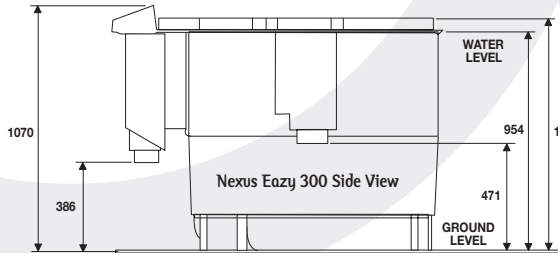
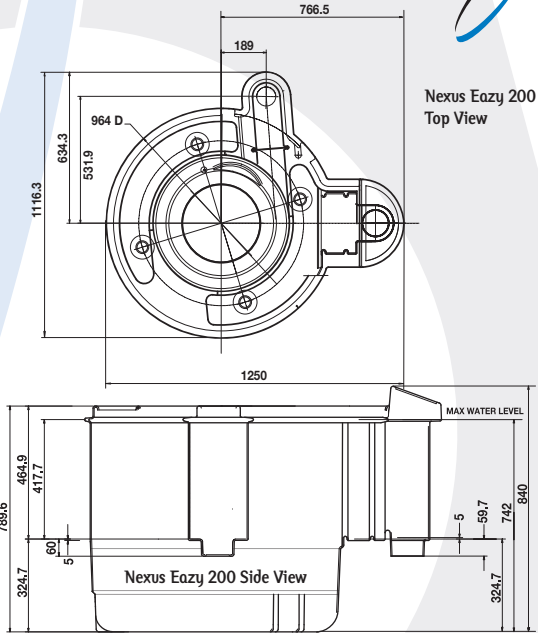


agitating the media which provides the best possible environment for the bacteria to colonise, this in turn will create the optimum healthy environment for your fish. Kaldnes bio-media is maintenance free allowing the biomass to fully mature, which maximises its effectiveness and creates constant parameters.

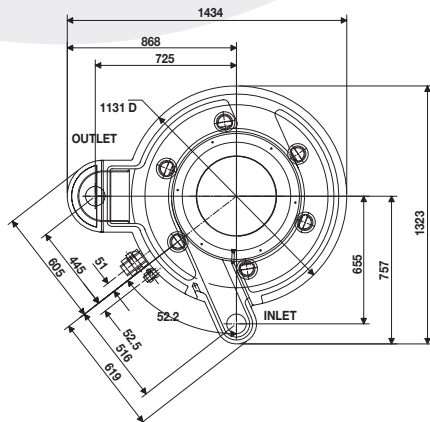
MAINTENANCE

The Nexus Eazy™ is extremely easy and pleasurable to clean. The water pump is switched off and an air valve is operated which diverts air from the main Nexus air ring into the base of the Eazy. This causes the KI media to be agitated and cleaned vigorously. As this happens the captured particles are flushed out into the central chamber of the Nexus, allowing you to see the amount of waste that has been filtered out. Once the KI media has been agitated for a sufficient period, the water in the central chamber is flushed to waste using the purge valve provided at the base of the Nexus. Once clean, the air flow is re-directed back to the main air ring and the system started again. The whole process from start to finish can take less than two minutes and is so easy to do! The media can be checked that it is 100% clean after a maintenance cycle unlike closed systems. There is no maintenance whatsoever in the KI biological stage - ZERO !

Nexus Eazy 200
Top View

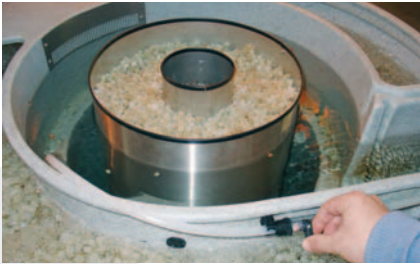


Nexus Eazy 300
Top View



RETRO KIT Nexus300/200

The Eazy is available as a retrofit for existing Nexus300/200 users.



| Nexus Model | Max Flow Rate | Max Pond Size with 2-3hr turn over Heavy Load |
|-------------|-------------------|---|
| Eazy 200 | 10,000 Litres p/h | 18,000 Litres |
| Eazy 300 | 15,000 Litres p/h | 34,000 Litres |

Evolution Aqua Ltd.

Evolution House
Kellet Close
Wigan
WN5 0LP
United Kingdom
www.evolutionaqua.com
Tel: +44 (0) 1942216554

We also have dealers in over 40 countries, please contact us for details....



MAIN BENEFITS

- The only filter system on the market incorporating the genuine Kaldnes Moving Bed™ technology
- Superb Water quality and clarity
- Zero maintenance in biological stage
- Low running costs
- Easy to install - 'plug and play' !
- Small footprint - Reduced installation cost
- Designed and manufactured for a long product life
- Biological capacity that can grow with your fish- just add more Kaldnes KI media
- Unparalleled value for money
- Open mechanical filter allowing visual inspection that media is 100% clean after maintenance
- Exceptionally easy and pleasurable to clean
- Works pump or gravity fed
- Does not use a high pressure and costly circulating pump as required in all pressurised systems
- Uses scientifically and time proven fish farming and waste water treatment technology for bio-filtration - healthier fish

For full details and specifications, please go to our website www.evolutionaqua.com