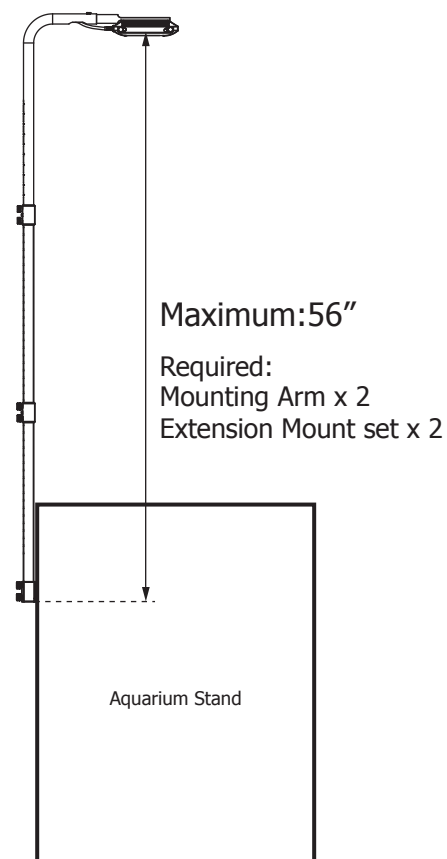
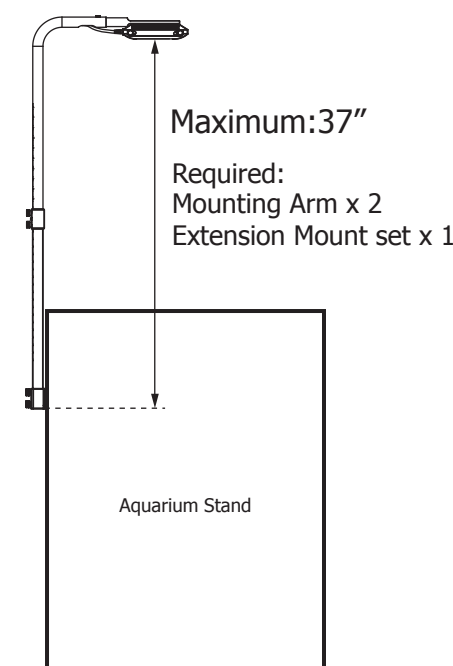


AP700 Setup



Extension Tube Quick Start Guide A Series

I Qty 2 * EXTENSION TUBE



III Qty 8 * M4 PHILLIPS WOOD SCREW



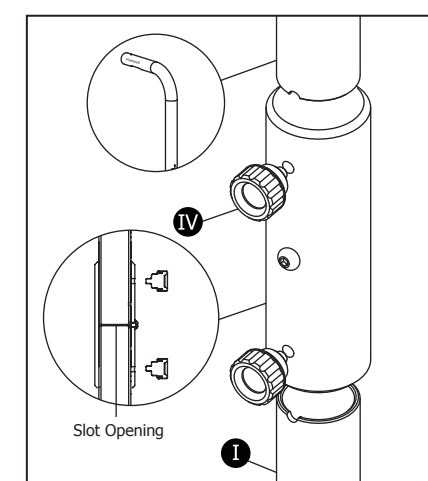
II Qty 2 * Coupling
(pre-installed with
M4 ROUND HEAD
HEX SCREW, L=5mm)



IV Qty 4 * M5 THUMB SCREW

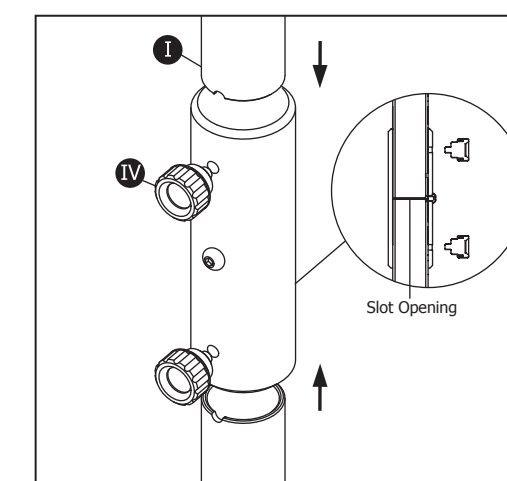


Extension Unit Instruction



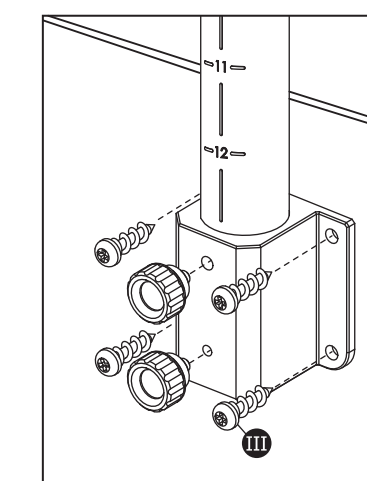
Insert Arm and Extension Tube (I) into Coupling (II) until they meet the slot opening. Use two M5 Thumb screws (IV) to secure both tubes.

***Mounting Arm needs to be purchased separately.**



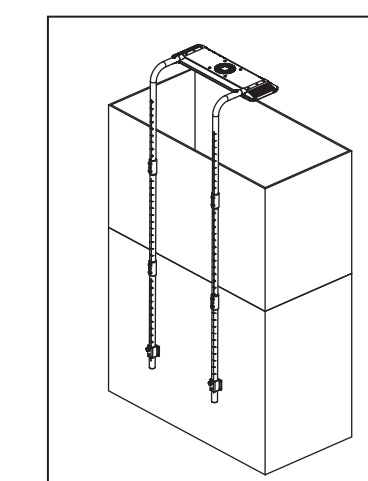
Insert both Extension Tubes (I) into Coupling (II) until they meet the slot opening. Use two M5 screws (IV) to secure both tubes.

***For longer extension (Optional). Require 2 sets of Extension Mounts for AP700 setup.**



Use four M4 Phillips Wood screws (III) to secure the Tube Adapter on wood stand. Put Extension Tube (I) into the Tube Adapter. Secure them with two M5 Thumb screws.

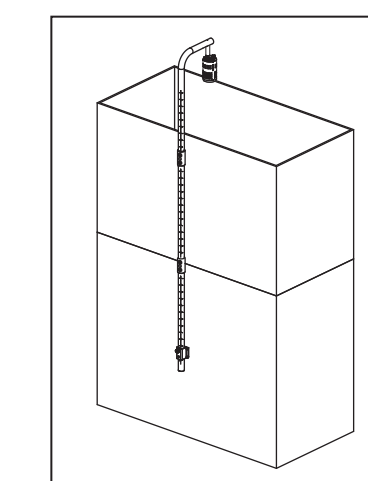
***Tube adapter and M5 Thumb screws are in the Mounting Arm box.**



Follow steps A4 to A10 (on Mounting Arm box) to complete installation.

***Flatten the AP700 cable before fitting into the arm.**

AP700 display.



Follow steps B1 to B4 (on Mounting Arm box) to complete installation.

A1XX/A3XX display.