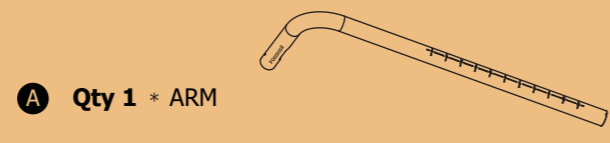
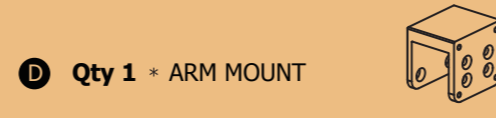


Mounting Arm Quick Start Guide

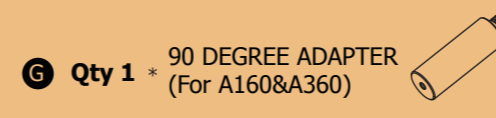
A Series



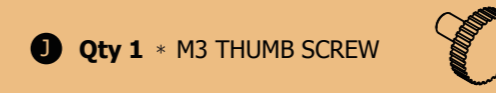
A Qty 1 * ARM



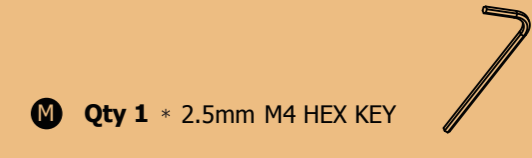
D Qty 1 * ARM MOUNT



G Qty 1 * 90 DEGREE ADAPTER
(For A160&A360)



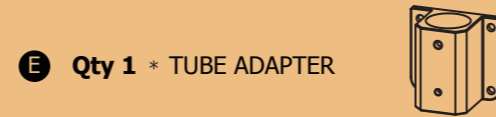
J Qty 1 * M3 THUMB SCREW



M Qty 1 * 2.5mm M4 HEX KEY



B Qty 1 * SLIDE BAR-1
(234mm)



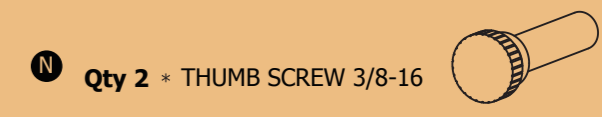
E Qty 1 * TUBE ADAPTER



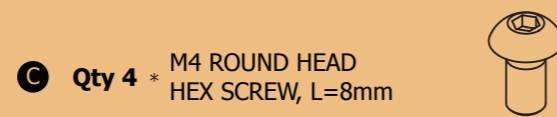
H Qty 1 * A3XX BRACKET



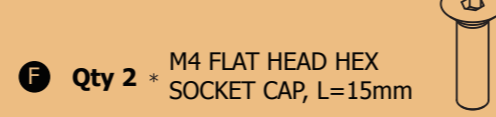
K Qty 4 * M5 FLAT HEAD
PHILLIPS CAP, L=10MM



N Qty 2 * THUMB SCREW 3/8-16



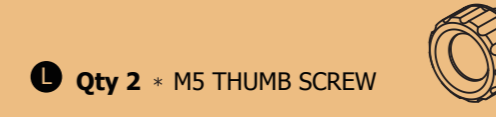
C Qty 4 * M4 ROUND HEAD
HEX SCREW, L=8mm



F Qty 2 * M4 FLAT HEAD HEX
SOCKET CAP, L=15mm

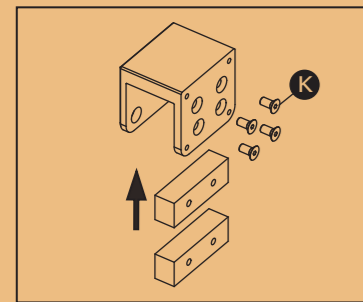


I Qty 2 * PLASTIC STEPPER



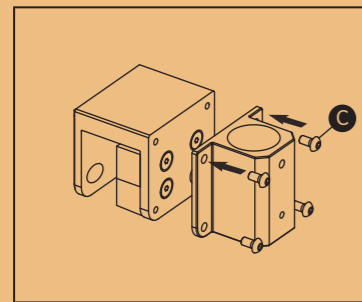
L Qty 2 * M5 THUMB SCREW

(A) AP700 Install Instruction

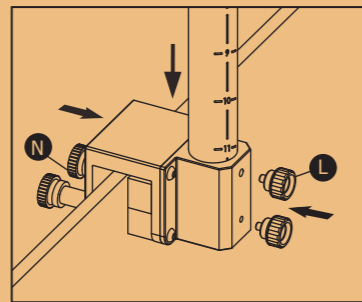


A1. Insert two steppers (I) into the Arm Mount (D) and secure them with four M5 Phillips Cap screws (K), using a Phillips screwdriver.

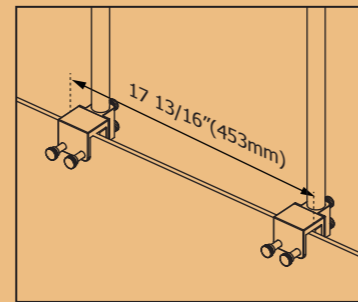
***Optional. Recommended for rimless aquariums.**



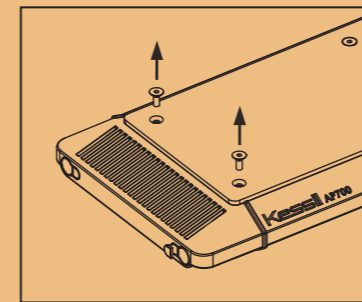
A2. Insert four M4 Round Head Hex screws (C) through Tube Adapter (E) and into Arm Mount (D). Secure with M4 Hex Key (M).



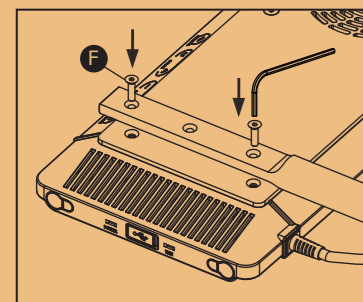
A3. Use two Thumb screws (N) to secure Arm Mount (D) to aquarium. Put Arm (A) into the Tube Adapter (E) and adjust to the desired height. Markings facing the back. Secure them with two M5 Thumb screws (L).



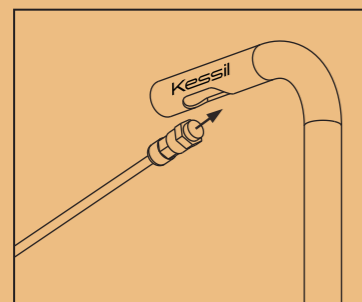
A4. The best distance between the far ends of two Arm Brackets (D) is 17 13/16" (453mm).



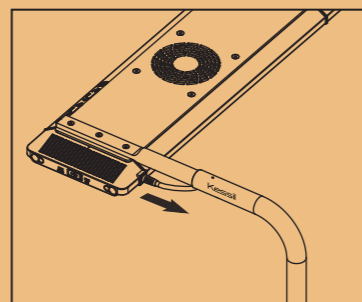
A5. Remove the screws from the top side of AP700, using M4 Hex Key (M).



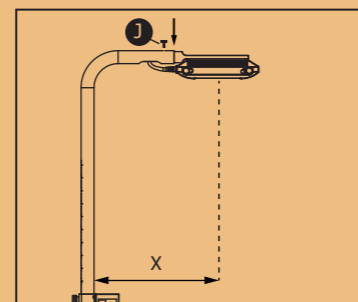
A6. Use M4 Hex Key (M) to secure the Slide Bar-1 (B) and AP700 together with two M4 Hex Socket Cap screws (F). Repeat A5 & A6 for the other side of AP700.



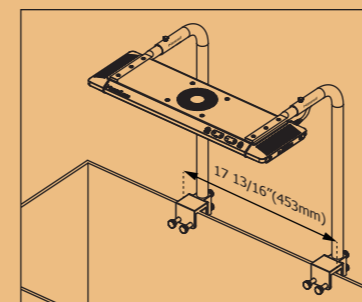
A7. Fit the AP700 cable through Arm (A) and all the way to the end.
***Be Caution**



A8. Slide the AP700 and Slide Bar-1 (B) into Arm (A). Slide both sides at the same time.
***Be Caution**



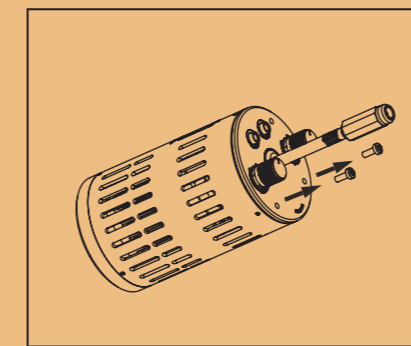
A9. Adjust Slide Bar-1 (B) to your aquarium width. Secure with M3 Thumb screw (J). Length X should be half of your aquarium width. For 18" width, X=9"; For 24" width, X=12".



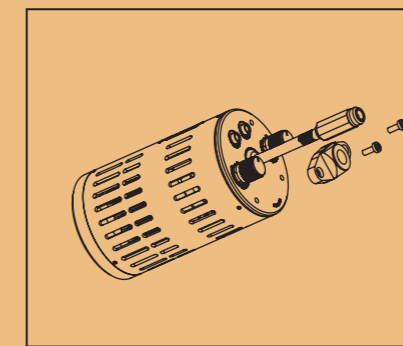
A10. Installation completed. Please be caution when making adjustments.

(B) A1XX/A3XX Install Instruction

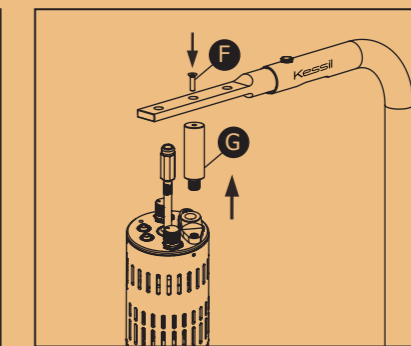
A1XX



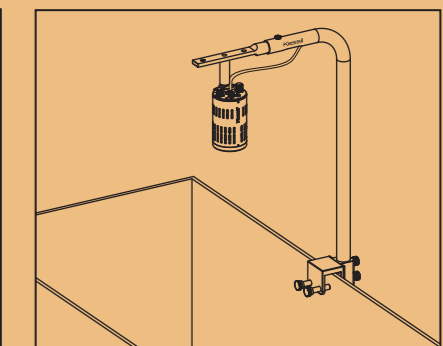
B1. Remove and reserve screws from A1XX for step B2.



B2. Secure designated bracket to unit with screws from step B1.
***The A150/A160 bracket come with the light.**

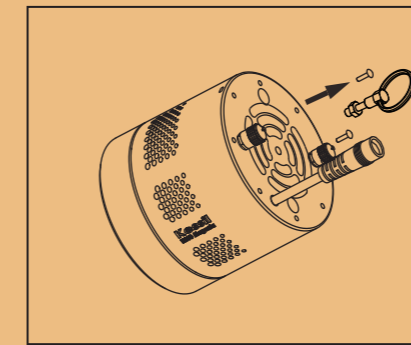


B3. Slide Slide Bar-1 (B) into Arm (A) and secure them with M3 Thumb screw (J). Combine Slide Bar-1 (B) to 90 Degree Adapter (G) with one M4 Hex Socket Cap screw (F) using M4 Hex Key (M). Tighten 90 Degree Adapter (G) into A1XX bracket (with light).

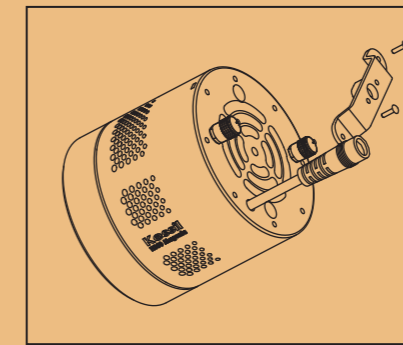


B4. Fit power supply cable through the bottom of the Arm (A) and connect to Power Cord of the unit. Secure Mounting Arm on aquarium following steps A1 to A3. Adjust Slide Bar-1 (B) to your aquarium width. Secure with M3 Thumb screw (J). Installation completed.

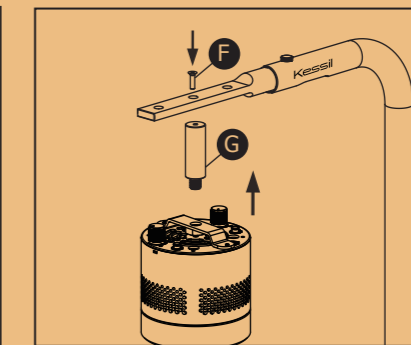
A3XX



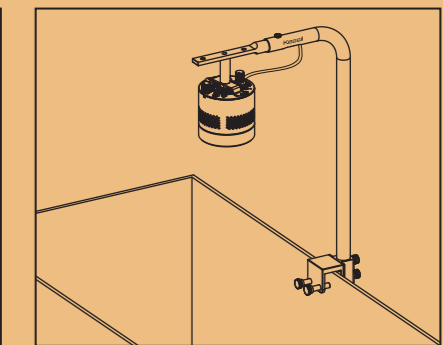
B1. Remove screws and Hanging Bolt from A3XX. Reserve screws for step B2.



B2. Secure A3XX Bracket (H) to unit with screws from step B1.



B3. Slide Slide Bar-1 (B) into Arm (A) and secure them with M3 Thumb screw (J). Combine Slide Bar-1 (B) to 90 Degree Adapter (G) with one M4 Hex Socket Cap screw (F) using M4 Hex Key (M). Tighten 90 Degree Adapter (G) into A3XX bracket (with light).



B4. Fit power supply cable through the bottom of the Arm (A) and connect to Power Cord of the unit. Secure Mounting Arm on aquarium following steps A1 to A3. Adjust Slide Bar-1 (B) to your aquarium width. Secure with M3 Thumb screw (J). Installation completed.